

AutoLabel 600P™ Thermal Transfer Printer

Superior and accurate inline printing to increase productivity in large bag packaging applications



Markets Served



FEATURES AND BENEFITS

- Fully integrated packaging is achieved by combining the 600P printer with the 600™ bagger, along with AUTOBAG brand or third party scales, counters or conveyors
- Available in 203, 300, and 600 dpi resolution
- Print Speeds up to 12" per second (600 dpi up to 6" per second)
- Improved bag web flow for tighter registration and more reliable bag sensing
- No air required, minimal electrical requirements
- More flexible, accessible design for ribbon loading and maintenance
- System-matched AUTOBAG brand pre-opened bags, AutoLabel Thermal Transfer Ribbon, and Autolabel Design Software
- AutoLabel Thermal Transfer Ribbons ensure the highest print quality on AUTOBAG brand bags and extend printhead life
- Resident Linear Barcodes: Code 3 of 9, UPC-A, UPC-E, Interleaved 2 of 5, Industrial 2 of 5, Std 2 of 5, Code 11, Code 93, Code 128, EAN-8, EAN-13, HIBC, Codabar, Plessey, UPC 2 and 5 digit addendums, Postnet, UCC/EAN Code 128, Telepen, Planetcode, FIM, USPS-4 State
- Resident 2D Barcode Symbolologies: MaxiCode, PDF417, USD-8, Datamatrix, QR Code, Codeablock, Code 16k, Aztec, TLC 39, Micro PDF417, GS1 Databar

Technical Information

WEIGHT

495 lbs. with 600; 75 lbs. alone

ELECTRICAL

100V to 240V VAC,

50/60 Hz Power Consumption:

800 Watts with 600; 300 Watts (VA) alone

AIR FEED

No air required

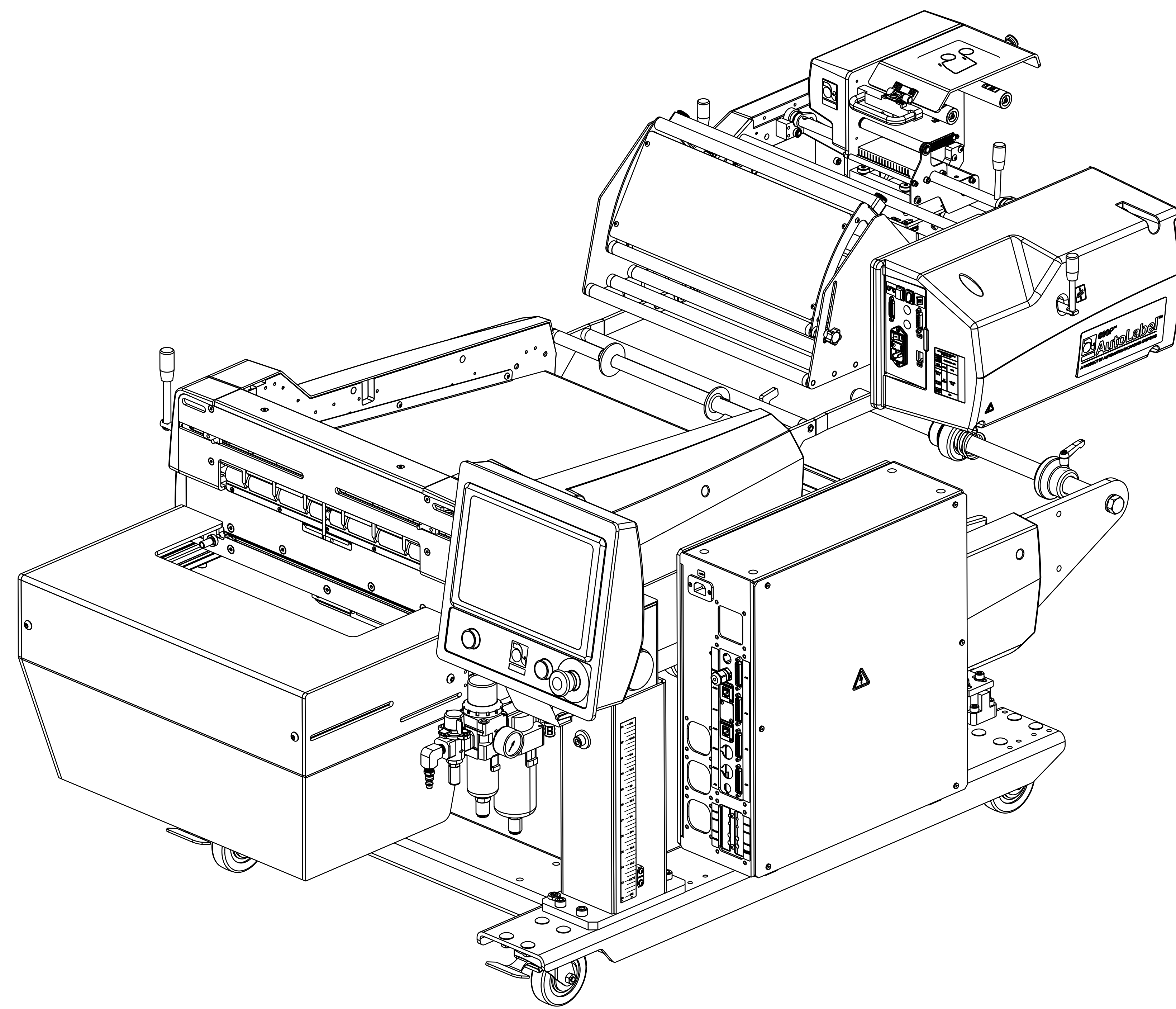
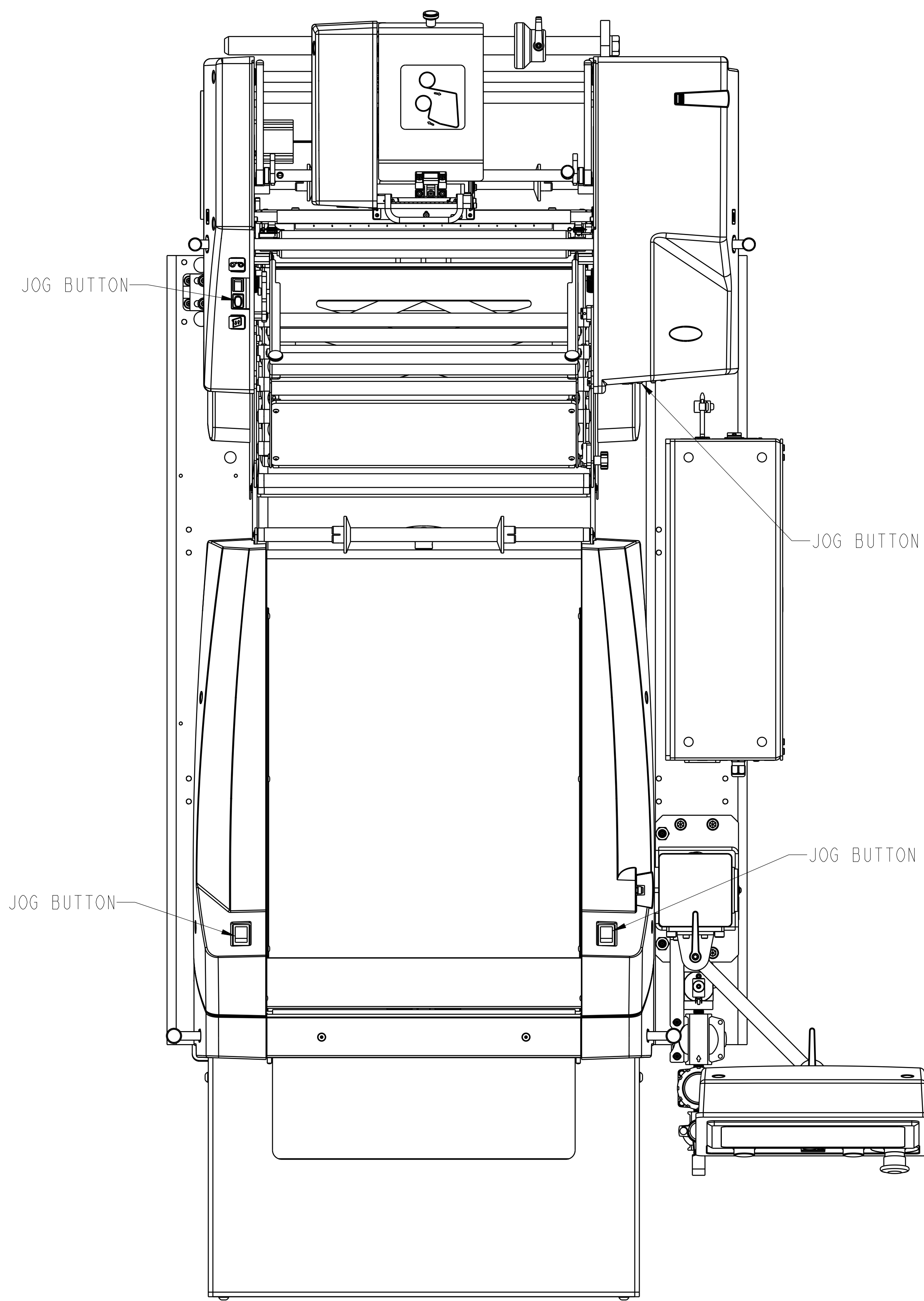
BAG SIZES

W 4 to 16 in. L 5 to 26 in.

(36 in. L unsupported)

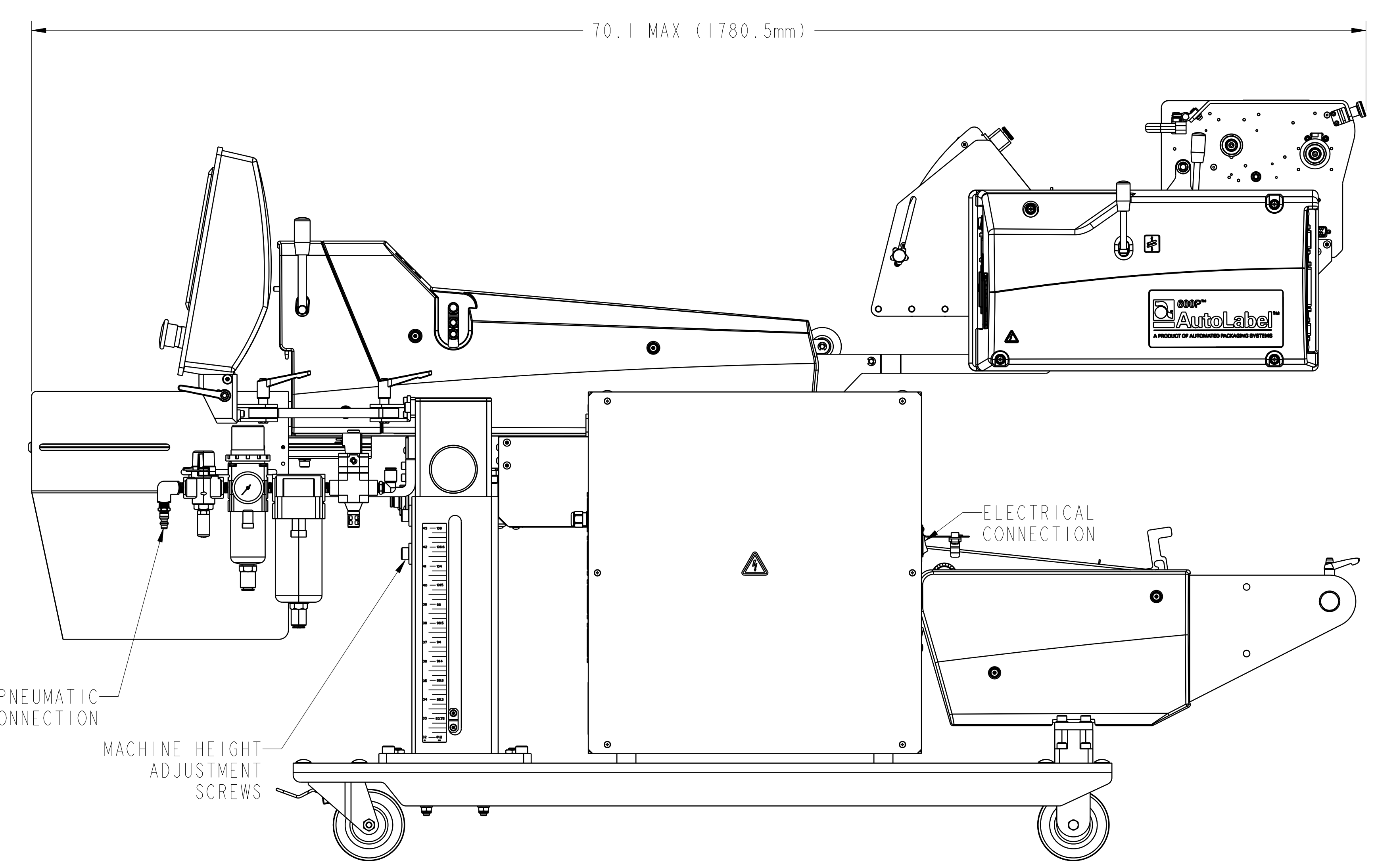
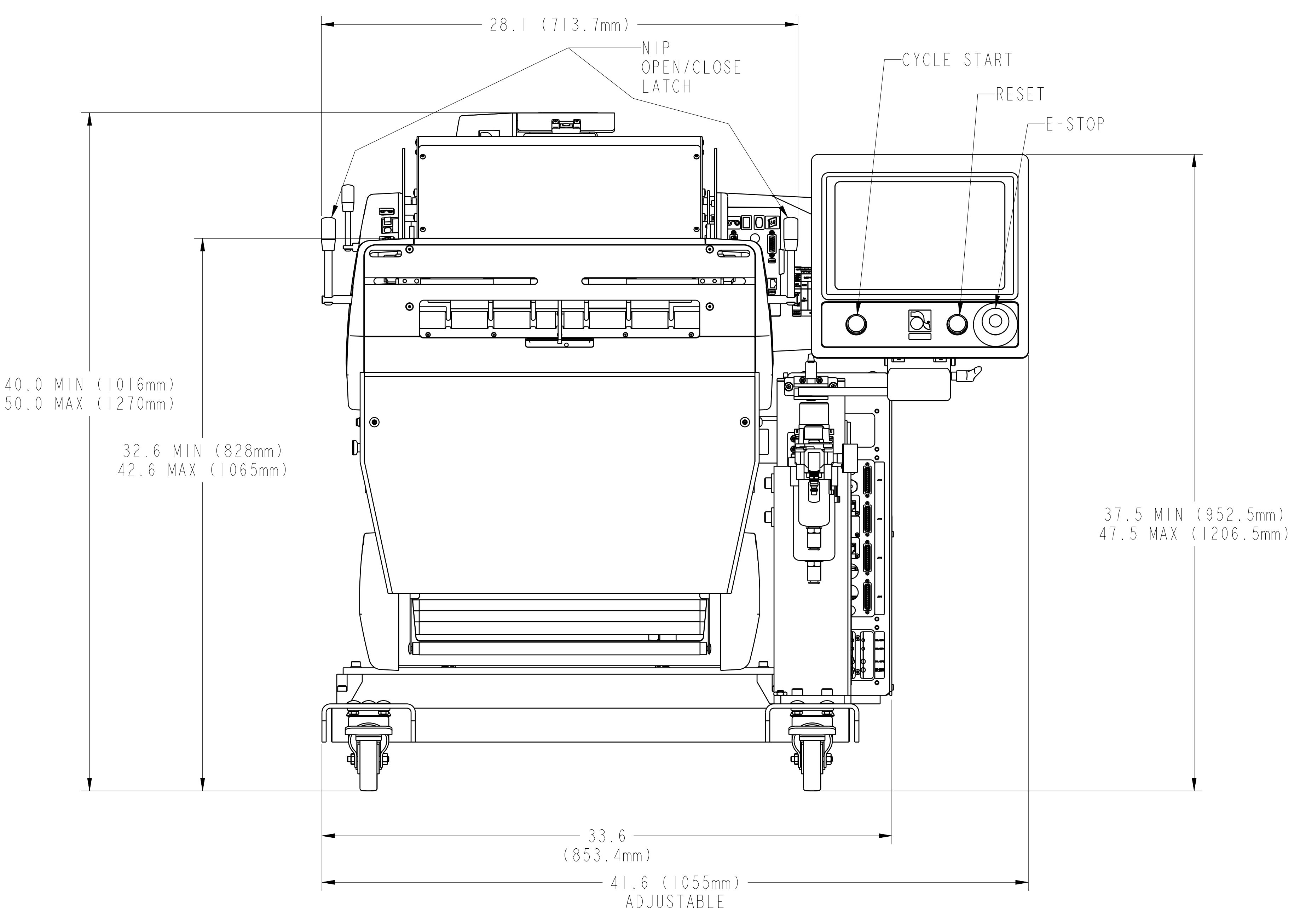
LABEL SIZES

Up to 4" wide; up to 20" long



BAGGER SPECIFICATIONS	
WEIGHT	350 LBS (158.6 KG)
ELECTRICAL	UNIVERSAL INPUT, 100V TO 240V VAC, 50/60 Hz POWER CONSUMPTION: 500W (VA) MAX
AIR FEED	5 CFM/80 PSI (141 LPM @5.5 BAR)
PASS-THROUGH	UP TO 5 INCHES (127mm)
BAG THICKNESS	1.09 - 4.0 MIL
BAG SIZES	WIDTH: 2 to 12 INCHES (50.8 - 304.8mm) LENGTH: 3 to 20 INCHES (76.2 - 508mm)
WEIGHT CAPACITY	UP TO 5 LBS (WITH LOAD SHELF) (2.25KG)

PRINTER SPECIFICATIONS	
WEIGHT	75 LBS (34 KG)
ELECTRICAL	100-240V, 50/60 Hz, 300W
AIR FEED	SUPPLIED FROM BAGGER
LABEL SIZE	UP TO 4 INCHES WIDE (101.6mm) 20 INCHES LONG (508mm)



Fabricated & Documented to be RoHS Compliant

FINISH	NONE
MATERIAL	NONE
<small>MACHINE SURFACES TO BE NO GREATER THAN 125 13.21 ✓ MILLER SURFACE FINISH PART MUST BE FREE OF BURRS AND SHARP EDGES DIMENSIONS: FINISH: .001 1 PLACE DIMS ± .01 .015 2 PLACE DIMS ± .005 .01 3 PLACE DIMS ± .002 .01</small>	
<small>NOTICE: THIS DOCUMENT CONTAINS PROPRIETARY INFORMATION AND IS ONLY TO BE USED BY PERSONNEL OF THE SYSTEMS DIVISION. IN CASE OF THEFT, CONTACT THE FIELD WRITER, CONSULTANT OR AUTOMATED PACKAGING SYSTEMS INC.</small>	
REV	BY DATE ECR DESCRIPTION
B	DMF 7-1-21 3265 UPDATED POWER CONSUMPTION: 500W MAX 1500W 300W WAS 2.4kW
A	DMF 11-15-20 2895 RELEASED
<small>10175 PHILLIPP PARKWAY - STREETSBORO, OH 44224</small>	
DRAWING SIZE	SCALE DRAWN BY
E	1/4 DMF
DATE	11-15-20
<small>FOOTPRINT: AB600 & AL600P W/UNWIND</small>	
<small>FP274</small>	