

DESCRIPTION

AUTOBAG® Brand 600 Series Bagging Systems efficiently bag and seal your products. Available in three model configurations operating at speeds up to 65 bags per minute (BPM) for the AUTOBAG® 600/600H and 40 BPM for the AUTOBAG®650. These high-speed bagging systems are ideal for large packaging operations.

A straightforward, simple design with few moving parts reduces lifetime cost and the open design provides flexible compatibility with AUTOBAG® counters, scales, and infeeds. The intuitive interface provides easy troubleshooting and diagnostics. Production data retrieval simplifies maintenance and optimizes productivity.

The AUTOBAG® 650 includes many of the same conveniences of the standard AUTOBAG® 500 with the addition of a thermal transfer printer. This provides next-bag-out printing technology that is ideal for short run, order fulfillment and ecommerce applications. The AUTOBAG® 600H is a horizontal bagging system with a large loading area for order prep and bulk product queuing.

KEY BENEFITS



Operational
Efficiency

- Modular components simplify maintenance and repairs to maximize uptime
- Minimal guarding provides unobstructed access to the open bag
- The horizontal bagger provides a 16" wide bag loading area ideal for large or bulk products
- Processor controlled servo motors, ethernet-capable printer networking, and flexible mechanical design streamline integration
- Compact footprint minimizes floor space
- The touch screen enables access to a help system, on-board diagnostics, and performance monitoring
- Simple height adjustment and casters for operator comfort and portability. A horizontal option is available, which includes a large workspace, ideal for a wide range of ecommerce fulfillment applications
- A 45 degree tilt option is available for orienting long or delicate products
- Adjustable pass-through up to 6" for maximum flexibility and packaging efficiency
- Optional Additions: multiple inline printer options, scales, conveyors, unwinds, counting systems, product load trays, and bag-in-a-box adapters



Package
Optimization

- Runs a wide variety of bag size options
- We maintain over 100 styles of stock bags and manufacture custom bags that include printing in up to 10 colors and a variety of special features



TECHNICAL DATA

	600
DIMENSIONS: (W x L x H)	46.1" (Adjustable) x 69.5" x 37.1"-47.1" (Adjustable) 1170.9 mm x 1765.3 mm x 942.3 - 1196.3 mm)
WEIGHT:	410 lbs.
SPEED:	Up to 65 BPM
ELECTRICAL:	110V to 240V VAC, 50/60Hz
CONNECTIVITY:	N/A
BAG SIZES: (W x L)	4"-16" x 5.5"-27" (101.6mm - 406.4mm) x (139.7mm - 685.8mm)
BAG THICKNESS:	1.09-4.0 mil
PASS THROUGH:	6" (152.4mm) max
WEIGH CAPACITY:	Up to 5lbs. (with load shelf)
PRINTER NEXT OUT BAG:	No

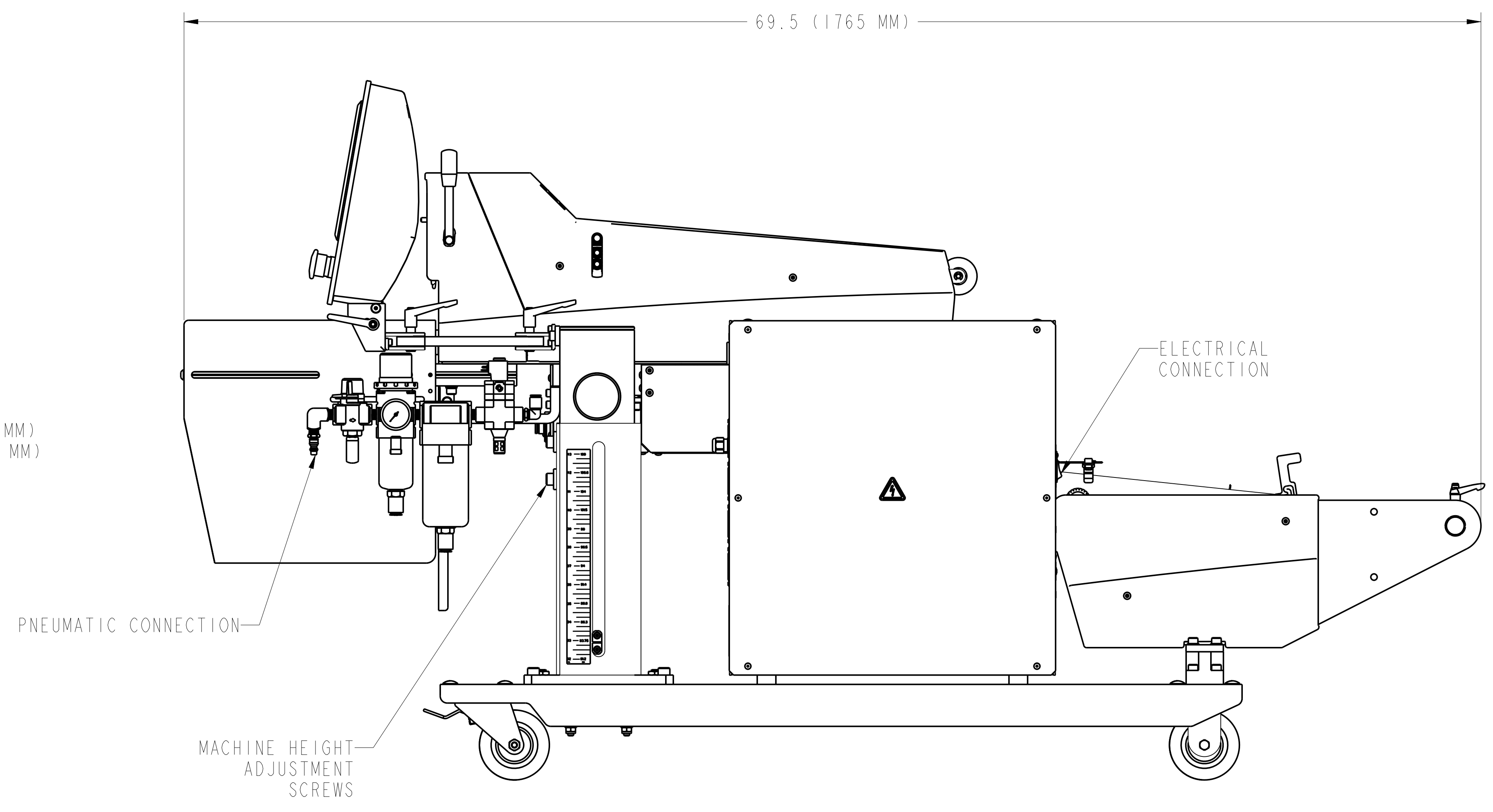
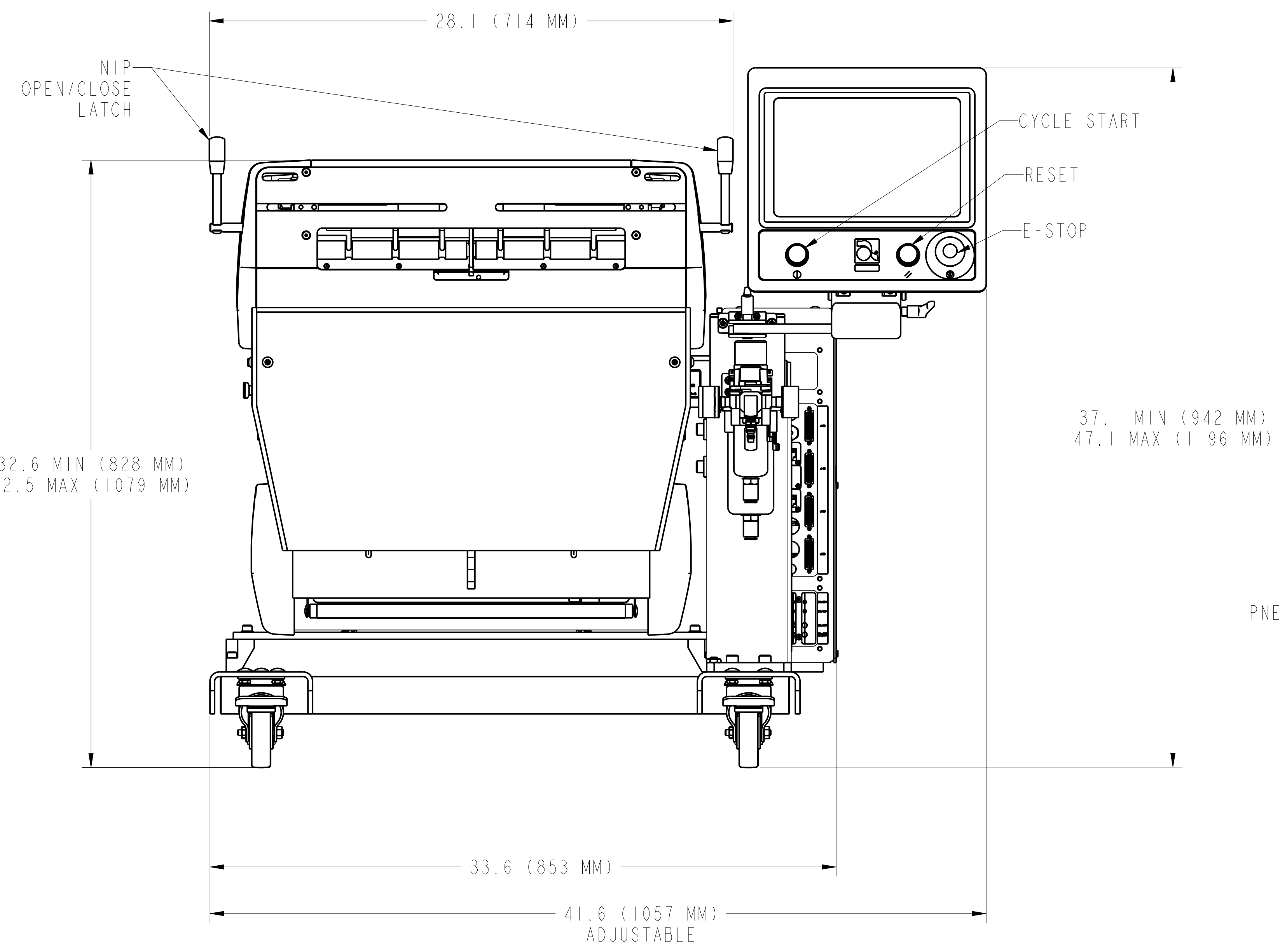
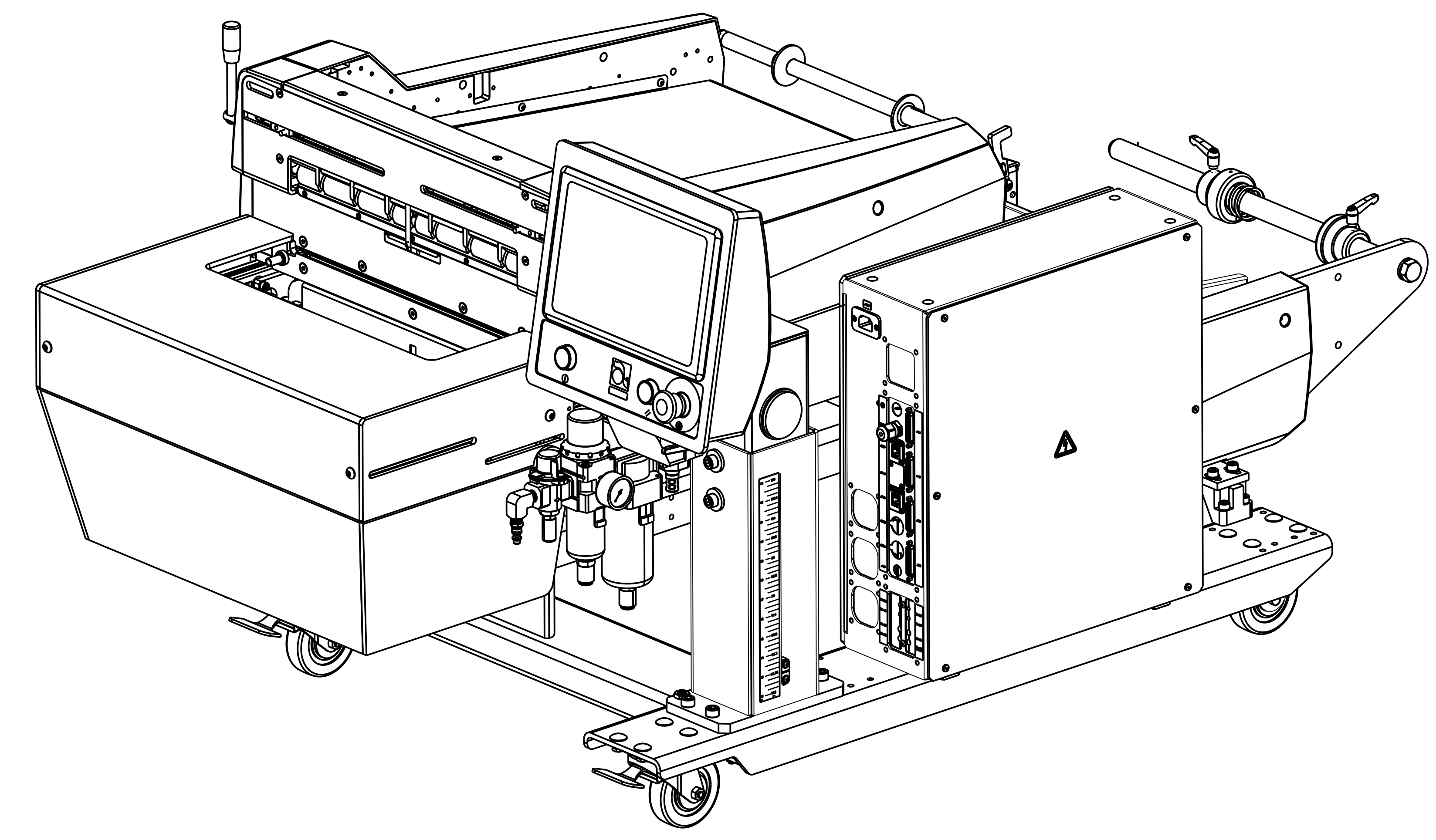
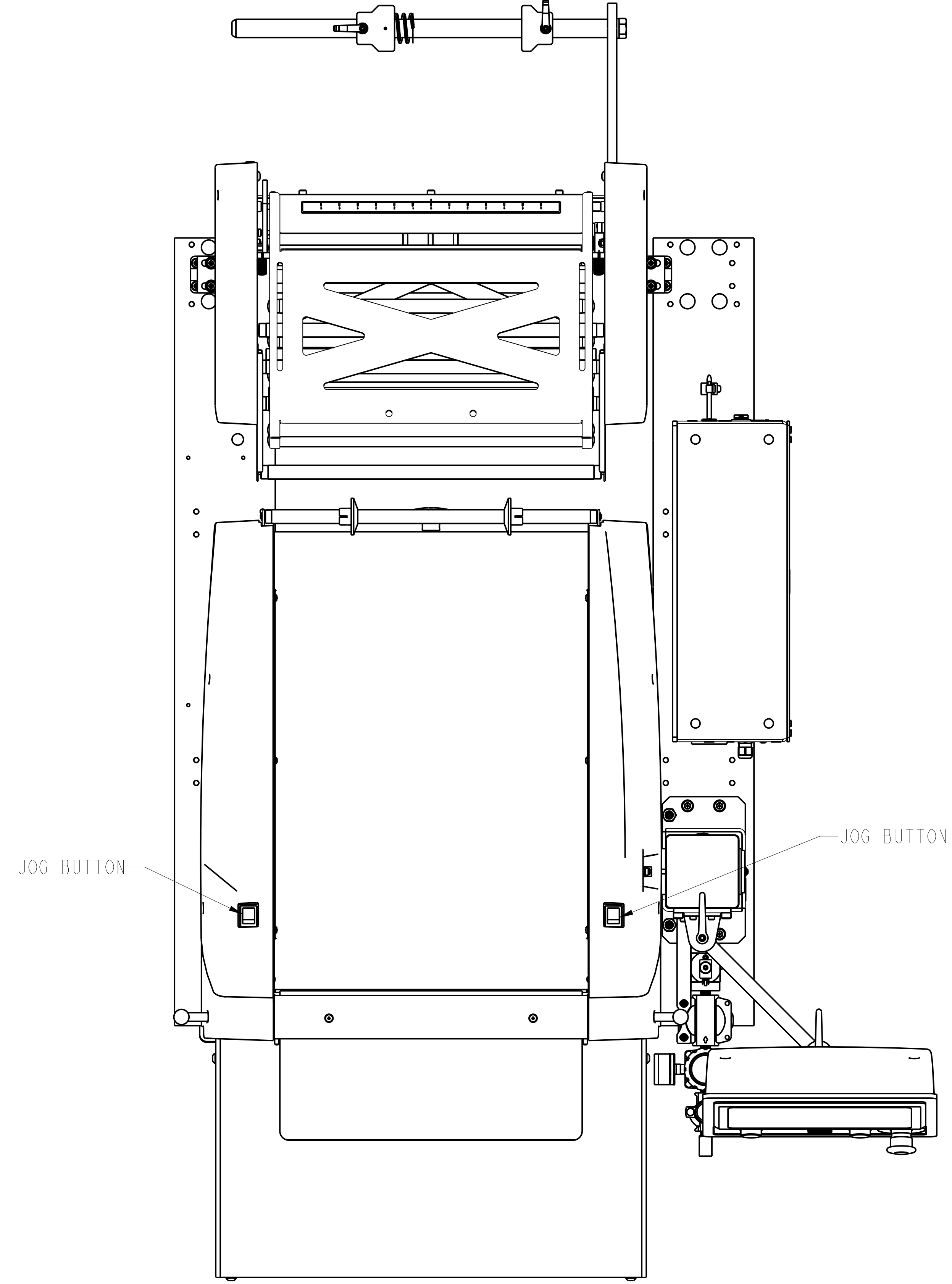
	650
DIMENSIONS: (W x L x H)	46.1" (Adjustable) x 69.5" x 37.1"-47.1" (Adjustable) 1170.9 mm x 1765.3 mm x 942.3 - 1196.3 mm)
WEIGHT:	450 lbs.
SPEED:	Up to 40 BPM
ELECTRICAL:	110V to 240V VAC, 50/60Hz
CONNECTIVITY:	Ethernet, USB, and Serial
BAG SIZES: (W x L)	2"-12" x 5"-20" (101.6mm - 406.4mm) x (139.7mm - 685.8mm)
BAG THICKNESS:	1.09 - 4.0 mil
PASS THROUGH:	6" (152.4mm) max
WEIGH CAPACITY:	Up to 5lbs. (with load shelf)
PRINTER NEXT OUT BAG:	Yes

	600H
DIMENSIONS: (W x L x H)	34.4" x 66.6" x 34.2"(load table) / 53.6" (top of HMI) (873.8 mm x 1691.6 mm x 868.7 - 1361.4 mm)
WEIGHT:	570 lbs.
SPEED:	Up to 65 BPM
ELECTRICAL:	110V to 240V VAC, 50/60Hz
CONNECTIVITY:	N/A
BAG SIZES: (W x L)	4"-16" x 5.5"-36" (101.6mm - 406.4mm) x (139.7mm - 914.4mm)
BAG THICKNESS:	1.09-4.0 mil
PASS THROUGH:	6" (152.4mm) max
WEIGH CAPACITY:	Up to 5lbs. (with load shelf)
PRINTER NEXT OUT BAG:	No

EQUIPMENT LAYOUT



SPECIFICATIONS	
WEIGHT	410 LBS (186 KG)
ELECTRICAL	UNIVERSAL INPUT, 100V TO 240V VAC, 50/60 Hz POWER CONSUMPTION: 1800W (VA) MAX
AIR FEED	5 CFM/80 PSI OF CLEAN, DRY AIR
PASS-THROUGH	UP TO 6 INCHES (152 MM)
BAG THICKNESS	1.09 - 4.0 MIL
BAG SIZES	WIDTH: 4 to 16 INCHES (102 TO 406 MM)/ LENGTH: 5.5 to 27 INCHES (140 TO 686 MM)
WEIGHT CAPACITY	UP TO 5 LBS (2.3 KG)(WITH LOAD SHELF)



Fabricated & Documented to be RoHS Compliant

FINISH	NONE
MATERIAL	N/A
MACHINING SURFACES TO BE NO GREATER THAN 125 (3.2) ✓ PART MUST BE FREE OF BURRS AND SHARP EDGES	
TOLERANCES	FRACTIONAL DECIMALS
1 PLACE DIMS	± .1
2 PLACE DIMS	± .05
3 PLACE DIMS	± .01
ANGLES	± .1°

REV	BY	DATE	ECN	DESCRIPTION
B	AZ	1-23-20		METRIC DIMENSIONS
A	DMF	8-1-19	1896	RELEASED

Automated PACKAGING SYSTEMS
10175 PHILIPP PARKWAY - STREETSBORO, OH 44221

DRAWING SIZE	SCALE	DRAWN BY	DATE	REV	DESCRIPTION
E	1/4	DMF	8-1-19		

FOOTPRINT: AB600
SHEET 1 OF 1
REV. B
FP263