

DESCRIPTION

AUTOBAG® Brand FAS Sprint and Industrial Sprint SidePouch® bagging systems present a conveyor of pre-opened bags that are staged for immediate loading. SidePouch® bags provide optimum performance, and offer a variety of special features, such as reclosable zipper bags, gussets, reinforced headers, tamper-evident perforations and more. These baggers can be integrated with stand-alone thermal transfer printers to add graphics, text and barcodes directly on the bag, eliminating the need for a labeling system.

The FAS Sprint SidePouch® bagger is a revolutionary packaging machine for medical, food or other applications that need superior sealing capabilities and a broader offering of bag options. These also bring a new level of speed and versatility to demanding, high-productivity environments that require daily washdown procedures.

The Industrial Sprint SidePouch® bagger is engineered to provide high productivity solutions for general industrial packaging applications, reaching speeds up to 120 bags per minute.

KEY BENEFITS



Operational Efficiency

- Easily accommodates a wide variety of loading methods, automatic infeeds, products and bag sizes
- Presents a conveyor of pre-opened bags staged for easy loading
- Electronic sensing automatically indexes, trims and seals bags in intermittent or continuous modes
- State-of-the-art components and operator-friendly control touch screen and software enhances system reliability and simplifies the user experience
- Operator-adjustable pass-through accommodates various product sizes
- The FAS Sprint is mounted on casters for easy mobility
- Corrosion-resistant, stainless-steel construction with a modular design provides easy cleaning/sanitation and maintenance (FAS Sprint only)



Package Optimization

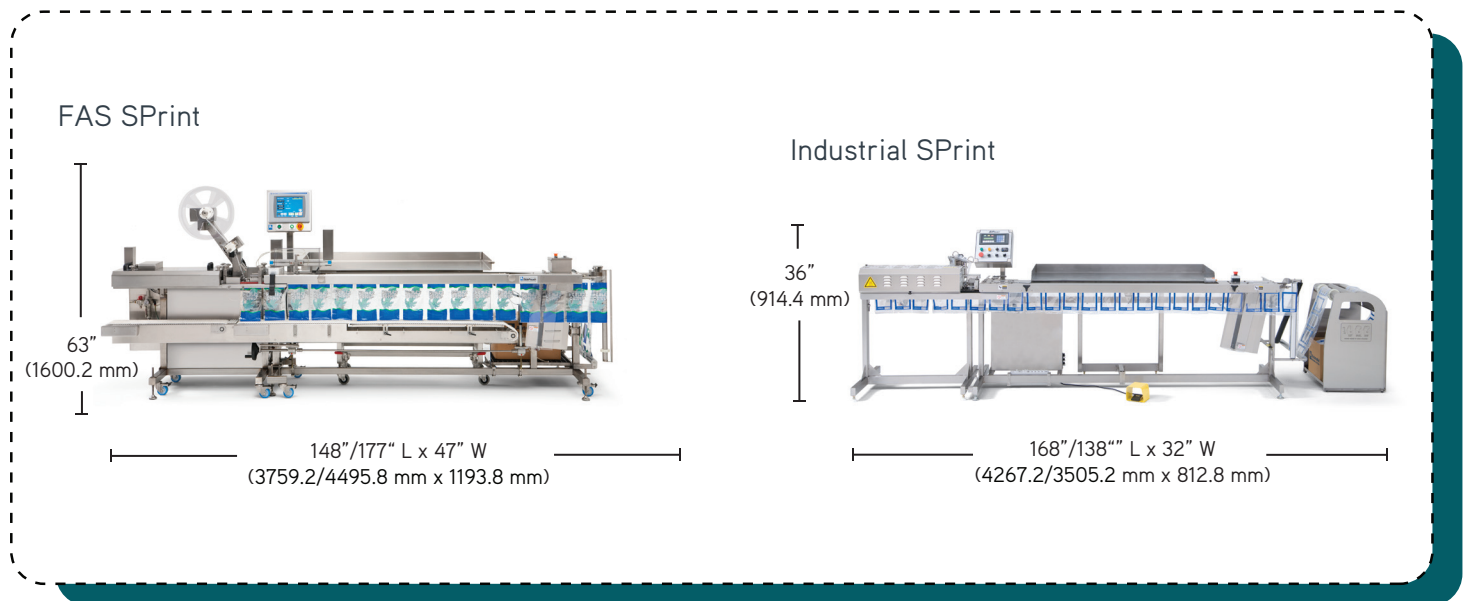
- Advanced sealing system ensures consistent, high-quality bag seals
- Offers special features, such as reclosable zippers, resealable flaps, tamper-evident perforations and more
- Assortment of materials are available that can be pre-printed with high-resolution graphics and/or can be integrated with stand-alone thermal transfer printers to add graphics, text and barcodes directly on the bag.



TECHNICAL DATA

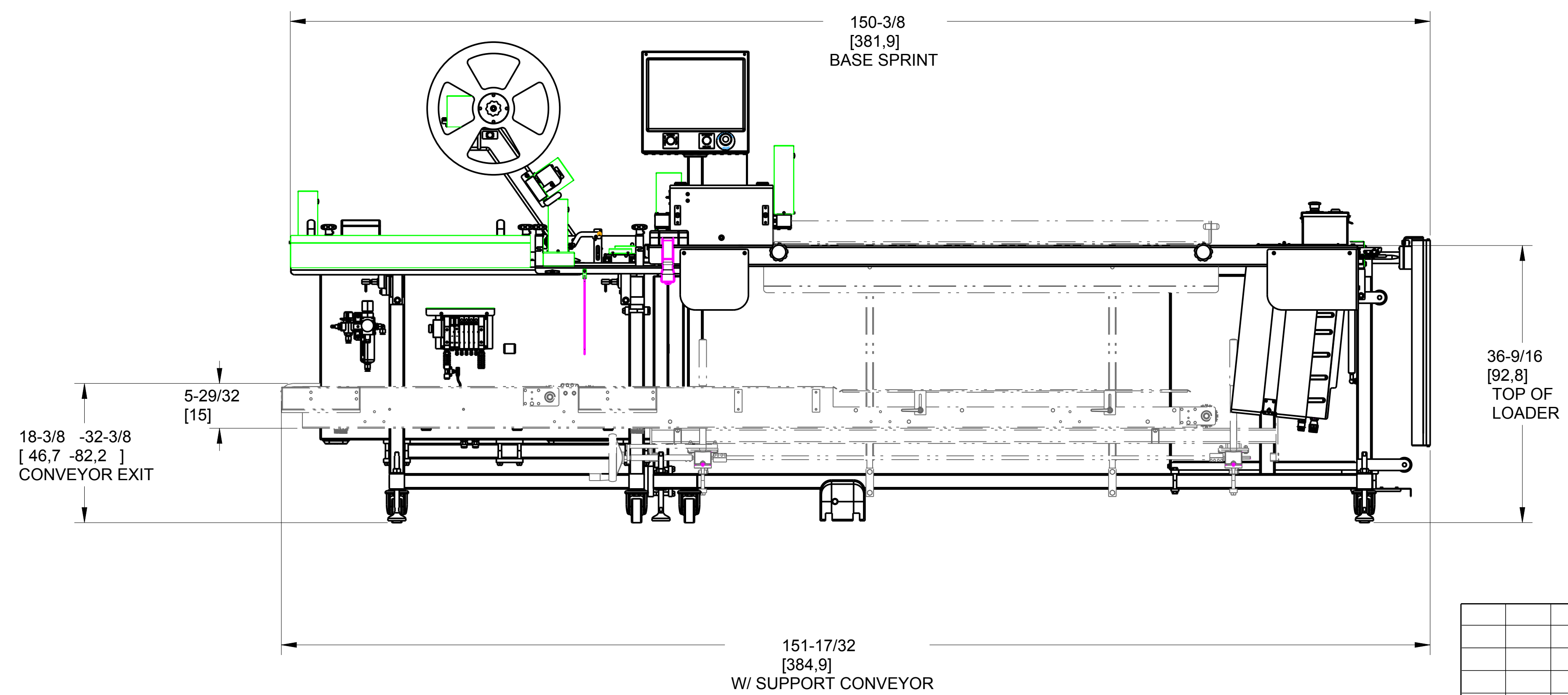
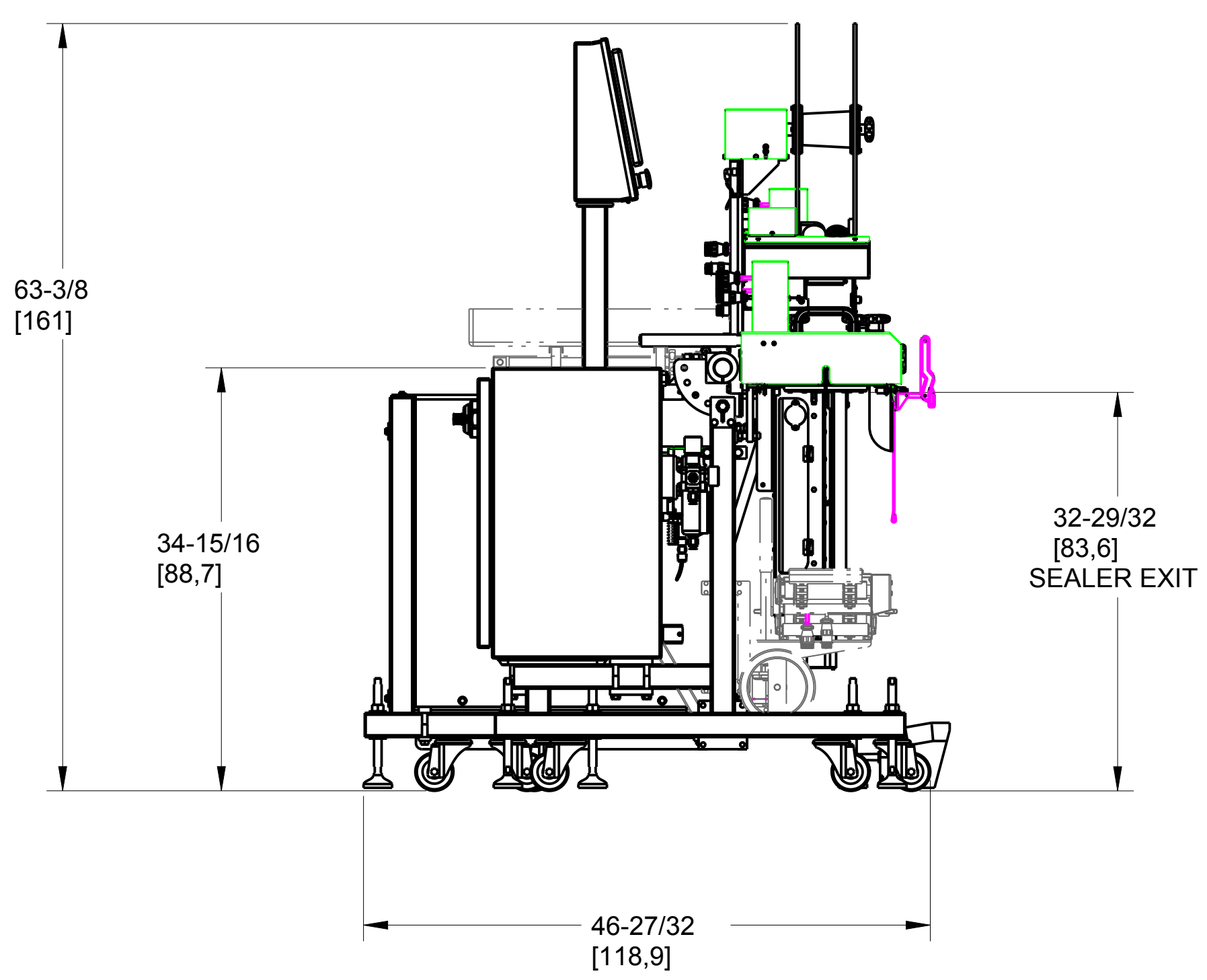
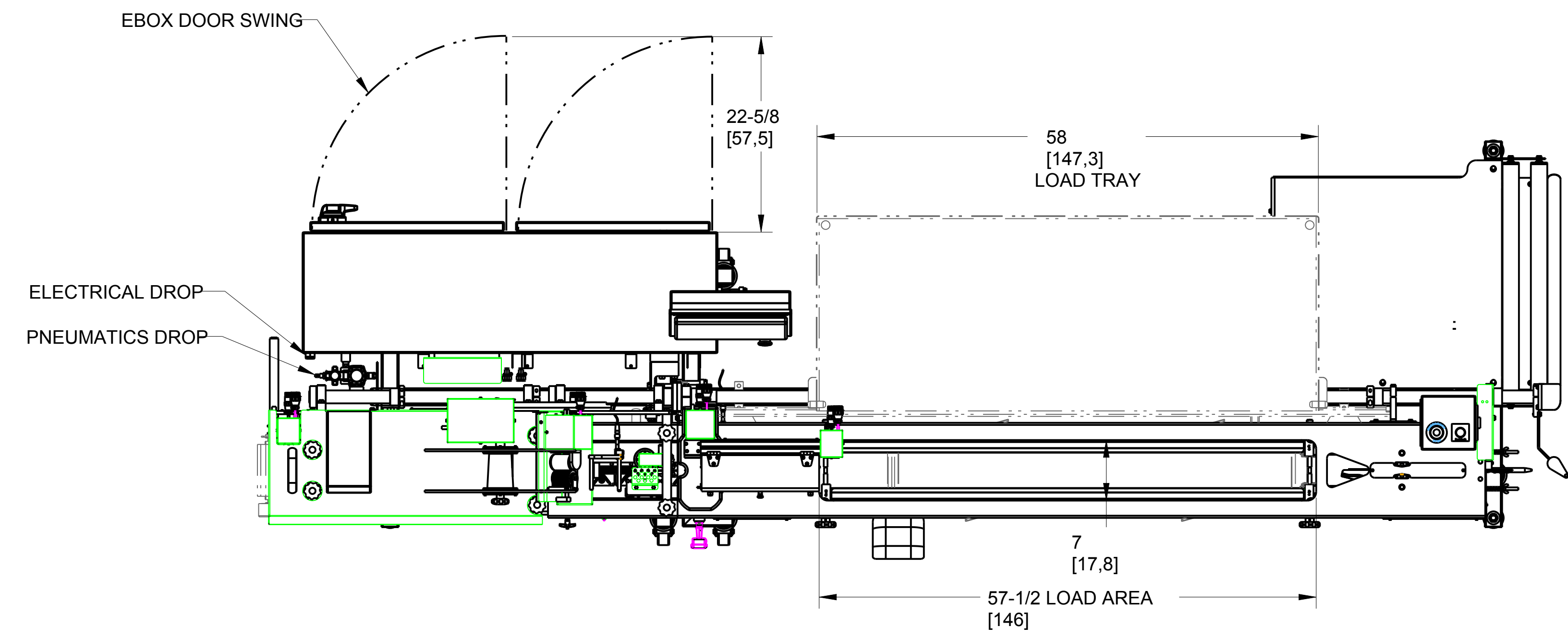
	FAS SPrint	Industrial SPrint
DIMENSIONS: (W x L x H)	47" x 148"/177"(with imprinter) x 63" 1193.8 mm x 3759.2/4495.8 mm x 1600.2 mm)	32" x 168"(60V) / 138"(30V) " x 36" 812.8 mm x 4267.2/3505.2 mm x 914.4 mm)
WEIGHT:	1134 lbs.	400 lbs(60V) / 375 lbs (30V)
SPEED:	Up to 900"/minute	Up to 900"/minute
ELECTRICAL:	110V/230V VAC, 50/60Hz, 12/6 Amps	115V VAC, 60Hz, 20 Amps
AIR FEED:	5 CFM/80 psi	45 psi
BAG SIZES: (W x L)	2"-24" x 3"-18.75" (50.8 mm - 609.6 mm) x (76.2mm - 475.3mm)	2.6"-20" x 3"-18.75" (66.0 mm - 508 mm) x (76.2mm - 475.3mm)
BAG THICKNESS:	1.32-4.0 mil	1.32 - 4.0 mil
PASS THROUGH:	6" (152.4mm) max	5" (127mm) max
WEIGH CAPACITY:	1 lb per inch of bag (with support conveyor)	1 lb per inch of bag (with support conveyor)
PRINTER	Integrates with AL3000P or third party wash down printers	Integrates with AL3000P printer

EQUIPMENT LAYOUT



Autobag FAS SPrint Revolution SidePouch

TECHNICAL SPECIFICATIONS:
 - WEIGHT: 1134 lbs [514 kg]
 - ELECTRICAL: 100/115/200/230 VAC @ 50/60 Hz
 - AIR: 1 CFM @ 80 PSI [28 litre/min @ .55 MPA] (CLEAN, DRY AIR)
 - PRODUCT PASS THROUGH: 6" [15,2 cm]
 - PRODUCT WEIGHT CAPACITY: UP TO 15 lbs [6,8 kg] W/ SUPPORT CONVEYOR



Fabricated & Documented
to be RoHS Compliant

MATERIAL CODE	FINISH
PS110	<input type="checkbox"/> #3 BRUSH
PS113	<input type="checkbox"/> CS116-W
PS114	<input type="checkbox"/> CS116-P
CS115-W	<input type="checkbox"/> CS117-W
CS115-P	<input type="checkbox"/> CS117-P
	<input type="checkbox"/> 2B MILL
	<input type="checkbox"/> BLACK OXIDE
	<input type="checkbox"/> BLACK ANODIZE
	<input type="checkbox"/> CLEAR ANODIZE
	<input type="checkbox"/> OTHERS NOTED

MATERIAL CODE: N/A

MACHINE SURFACES TO BE 125 UNLESS OTHERWISE NOTED
 PART MUST BE FREE OF BURRS AND SHARP EDGES
 MINIMUM BEND RADIUS UNLESS OTHERWISE SPECIFIED
 ALL DIMENSIONS IN INCHES UNLESS OTHERWISE NOTED
 TOLERANCE: ±.100 ON FRACTIONAL DIMENSIONS
 ±.010 ON TWO PLACE DECIMAL DIMENSIONS
 ±.005 ON THREE PLACE DECIMAL DIMENSIONS
 ±.1° ON ANGULAR TOLERANCE

NOTICE: THIS DOCUMENT CONTAINS PROPRIETARY INFORMATION AND IT SHALL NOT BE USED OR REPRODUCED OR ITS CONTENT DISCLOSED, IN WHOLE OR PART, WITHOUT THE PRIOR WRITTEN CONSENT OF AUTOMATED PACKAGING SYSTEMS INC.

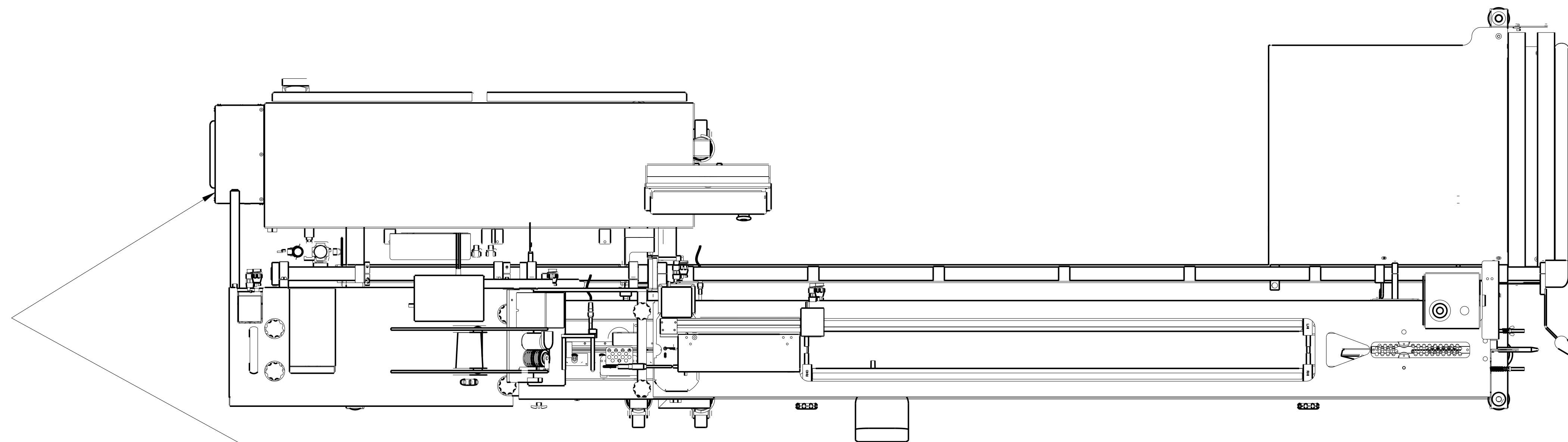
REV	BY	DATE	ECN	CHK	DESCRIPTION

		TYPE EQUIPMENT FAS SPRINT 2009	
SCALE 3/32	DRAWN BY LDC	B/M REF. NO. N/A	DRAWING SIZE D
TITLE FAS SPRINT 2009 W/ OPTIONS	DATE 09-09-09	DRAWING NO. FP210	SHEET 1 OF 1 REV A

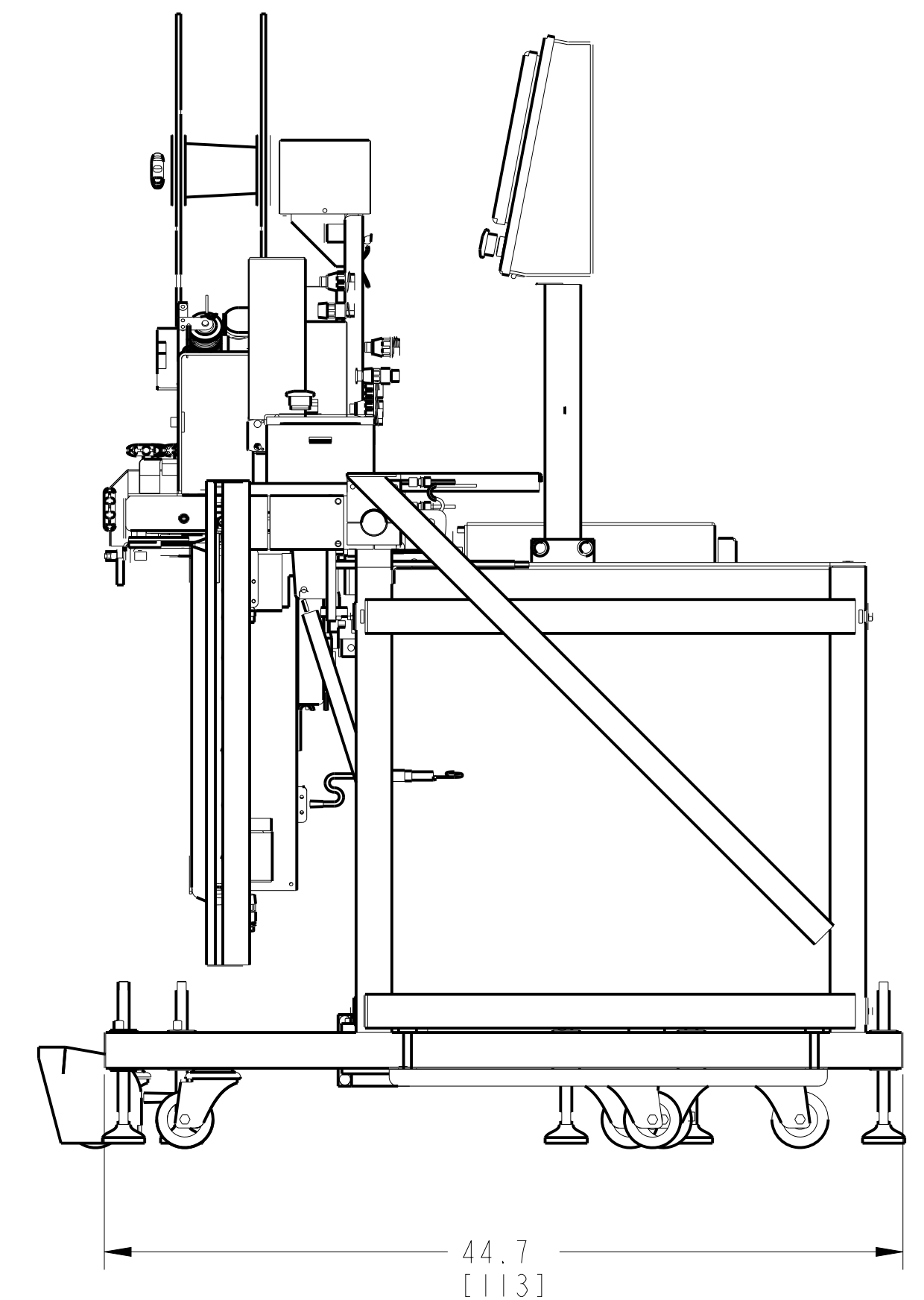
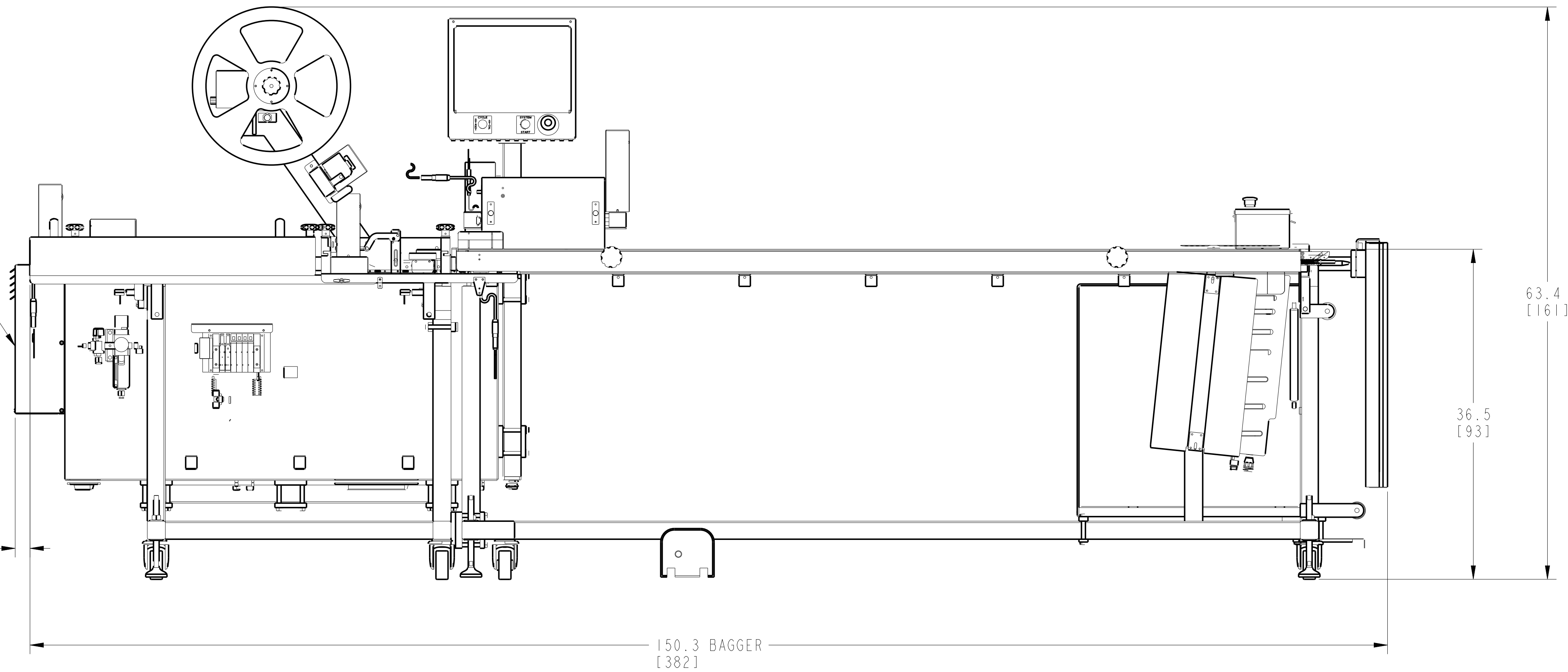
10175 PHILIPP PARKWAY - STREETSBORO, OH 44241

INCH [CM]

TECHNICAL SPECIFICATIONS - BAGGER:
 - WEIGHT: 1184 lbs [537kg]
 - ELECTRICAL: 110/230 VAC; 50/60 Hz; 12/6 AMPS
 - AIR: 5 CFM@80 PSI [142 litre/min] CLEAN DRY AIR
 - PRODUCT PASS THROUGH: 6 IN [15,2 cm]
 - PRODUCT WEIGHT CAPACITY: UP TO 15 lbs [6,8 kg]
 WITH SUPPORT CONVEYOR



OPTIONAL HEAT EXCHANGER,
 ALLOW 6" MINIMUM CLEARANCE
 FOR PROPER AIR FLOW



OPT. HEAT EXCHANGER 1.640
 [4,17]

150.3 BAGGER
 [382]

63.4
 [161]

36.5
 [93]

44.7
 [113]

FINISH		NONE	
MATERIAL		NONE	
MACHINE SURFACES TO BE NO GREATER THAN 125 13,21 ✓ UNLESS OTHERWISE NOTED PART MUST BE FREE OF BURRS AND SHARP EDGES			
TOLERANCE		INCHES mm	
1 PLACE DIMS	± .1	± .5	
2 PLACE DIMS	± .02	± .51	
3 PLACE DIMS	± .005	± .10	
ANGULAR	± 1/2°		
NOTICE: THIS DOCUMENT CONTAINS PROPRIETARY INFORMATION AND IT SHALL NOT BE USED OR REPRODUCED OR ITS CONTENT DISCLOSED, IN WHOLE OR PART, WITHOUT THE PRIOR WRITTEN CONSENT OF AUTOMATED PACKAGING SYSTEMS INC.			
INCH [MM]	THIRD ANGLE PROJECTION		

REV	BY	DATE	ECN	DESCRIPTION
C	CW	8-24-17		ADDED OPTIONAL HEAT EXCHANGER
B	CW	2-10-16	438	DRAWING FORMAT UPDATE, ADD TECHNICAL SPECIFICATIONS
A	CW	5-10-13		INITIAL RELEASE

DRAWING SIZE		SCALE		DRAWN BY		BOM REFERENCE NUMBER	
D		1/8		C. WEBER		NONE	
NAME:		DATE:		TITILE		DRAWING NO.	
C. WEBER		5-10-13		FAS REVOLUTION, P1412C SPRINT PRINTER		SHEET 1 OF 1	
				FP204		REV C	

Automated PACKAGING SYSTEMS
 10175 PHILIPP PARKWAY · STREETSBORO, OH 44241